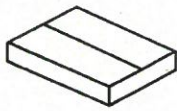




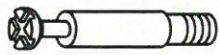
30 min



x2



x2



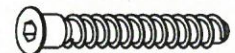
Ax10 ($\phi 6 \times 35\text{mm}$)



Bx10 ($\phi 15 \times 10\text{mm}$)



Cx20 ($\phi 8 \times 30\text{mm}$)



Dx10 ($7 \times 50\text{mm}$)



Ex4



Fx4



Gx8



Hx1



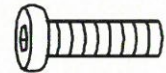
Ix10 ($\phi 20\text{mm}$)



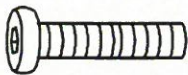
Jx16



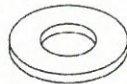
Kx16



Lx17 ($M6 \times 30\text{mm}$)



Mx12 ($M6 \times 55\text{mm}$)



Nx29



Ox8



Px2



Qx4



Rx4 ($M4 \times 35\text{mm}$)



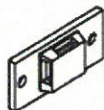
Sx4



Tx5



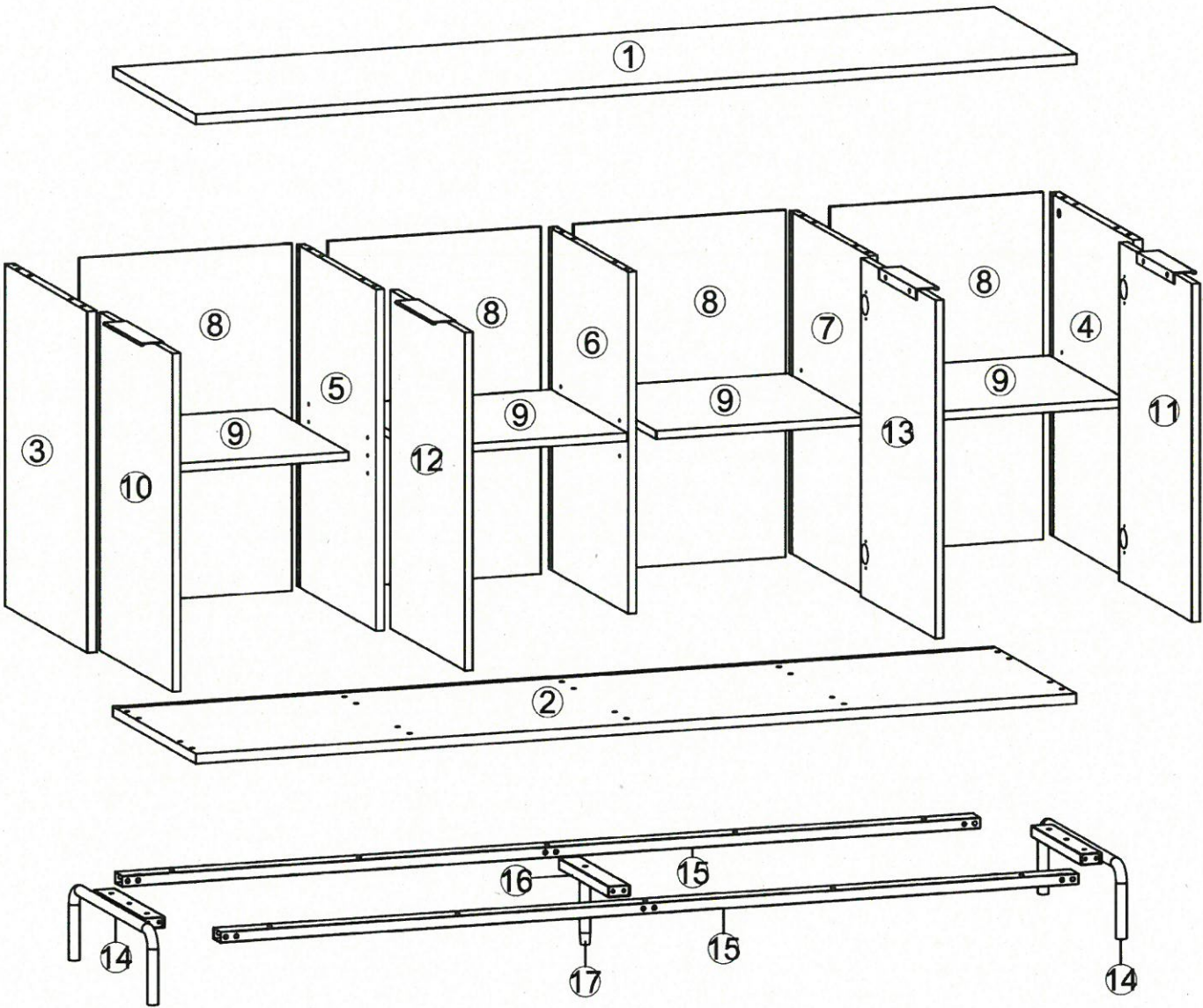
Ux64 ($M3.5 \times 14\text{mm}$)



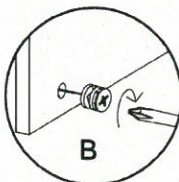
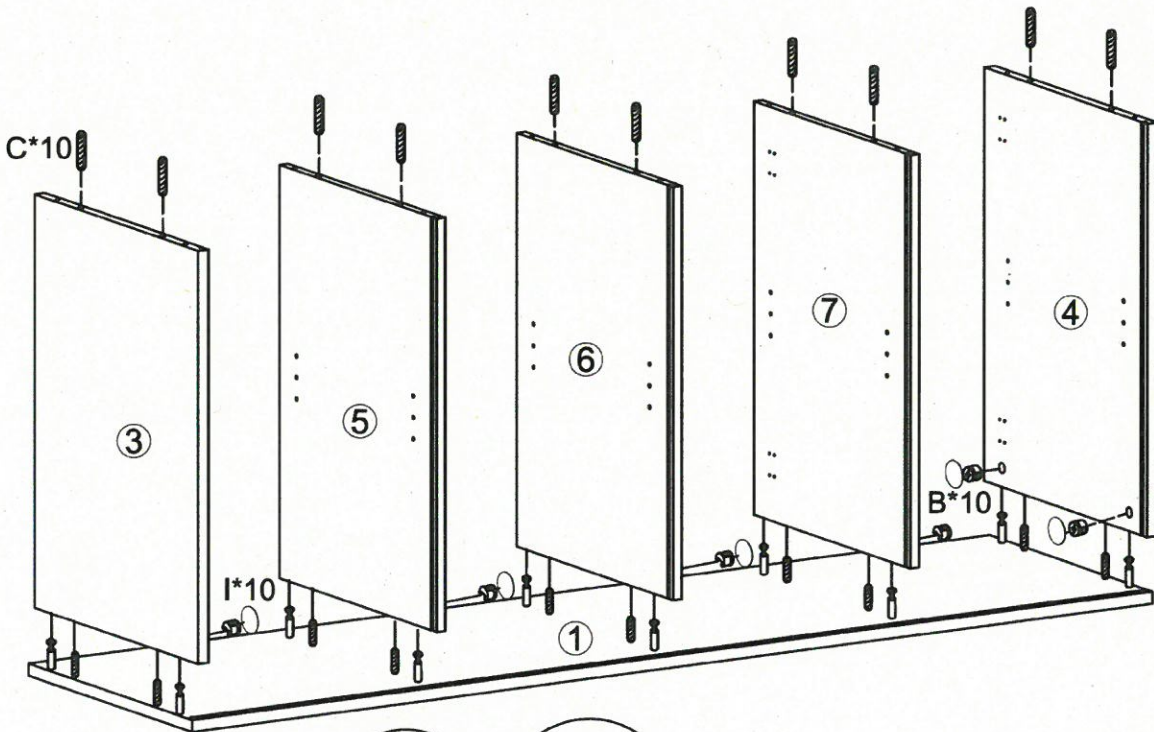
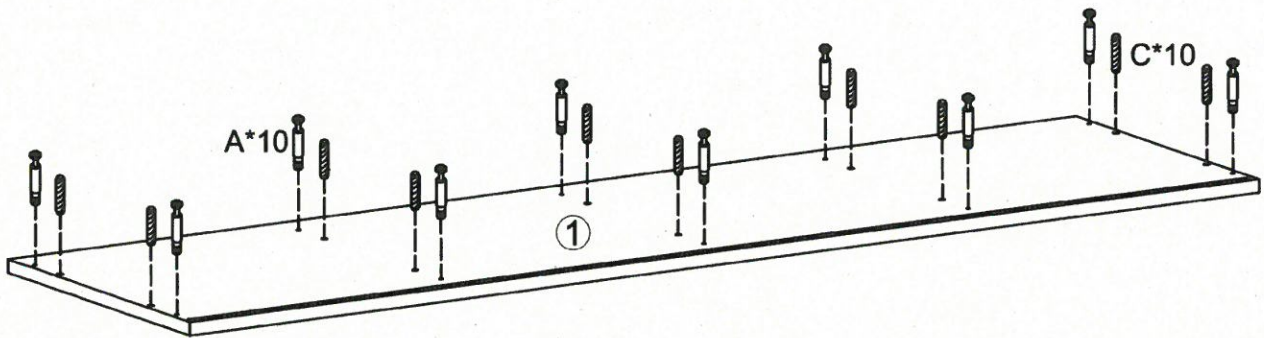
Vx4



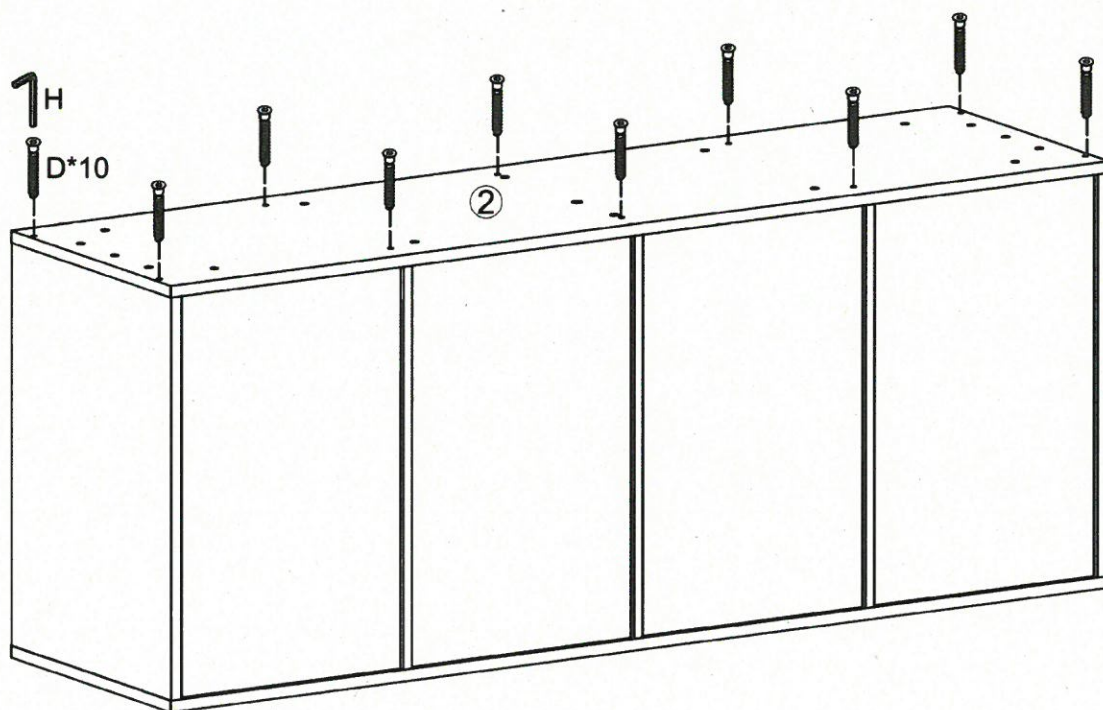
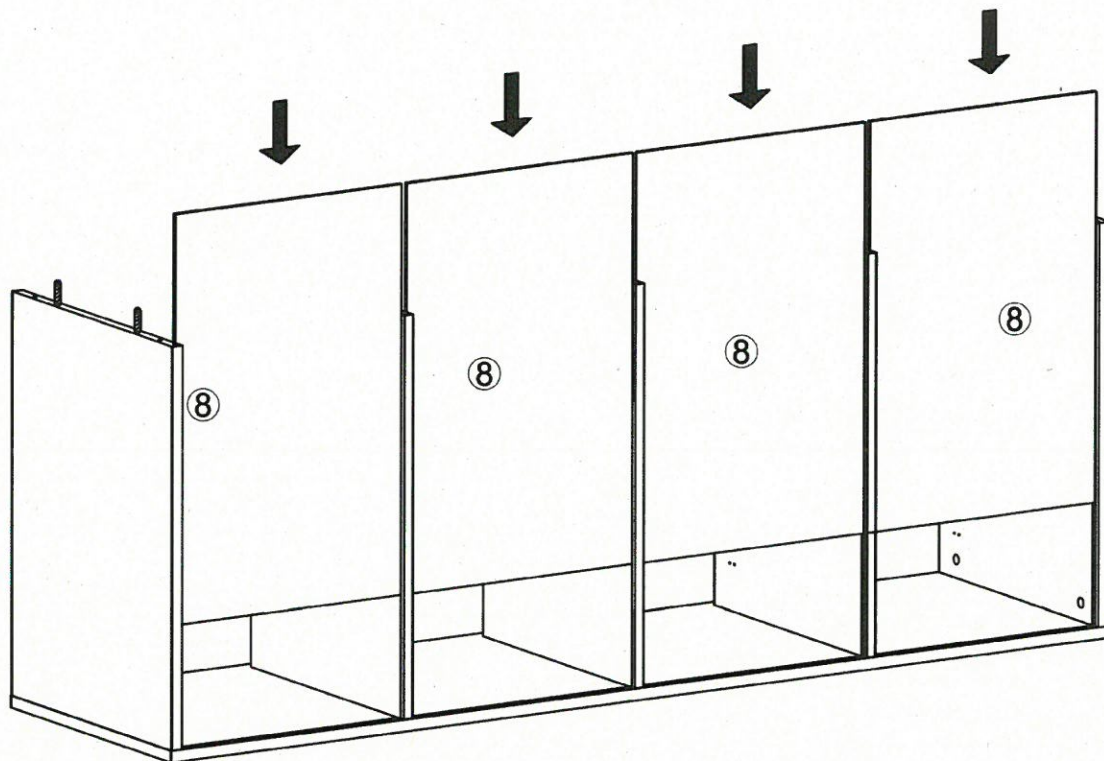
Wx4 ($M3.5 \times 20\text{mm}$)



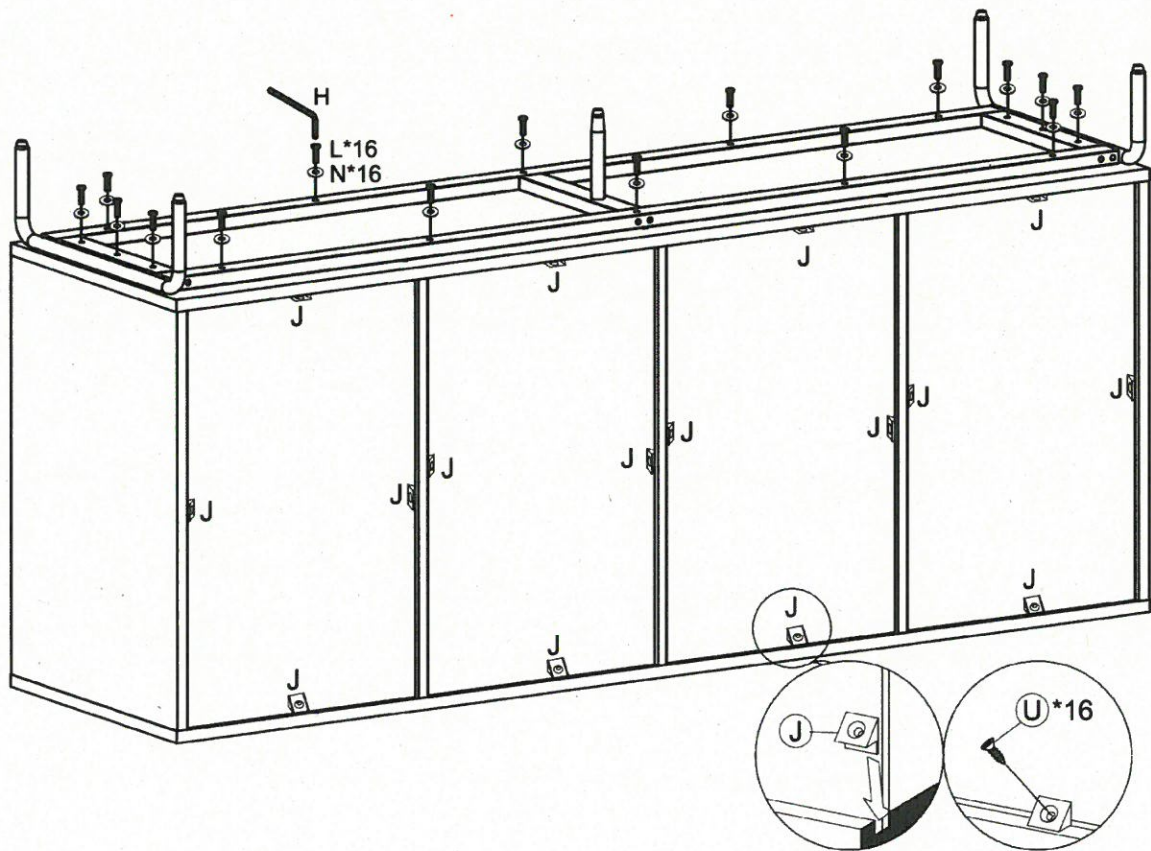
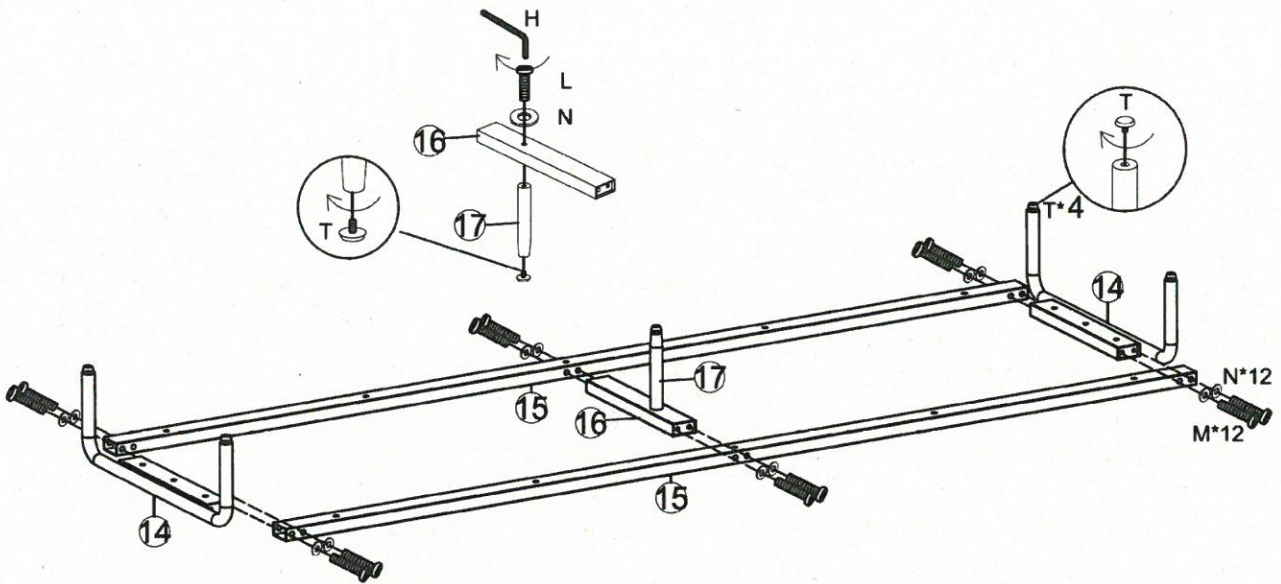
1



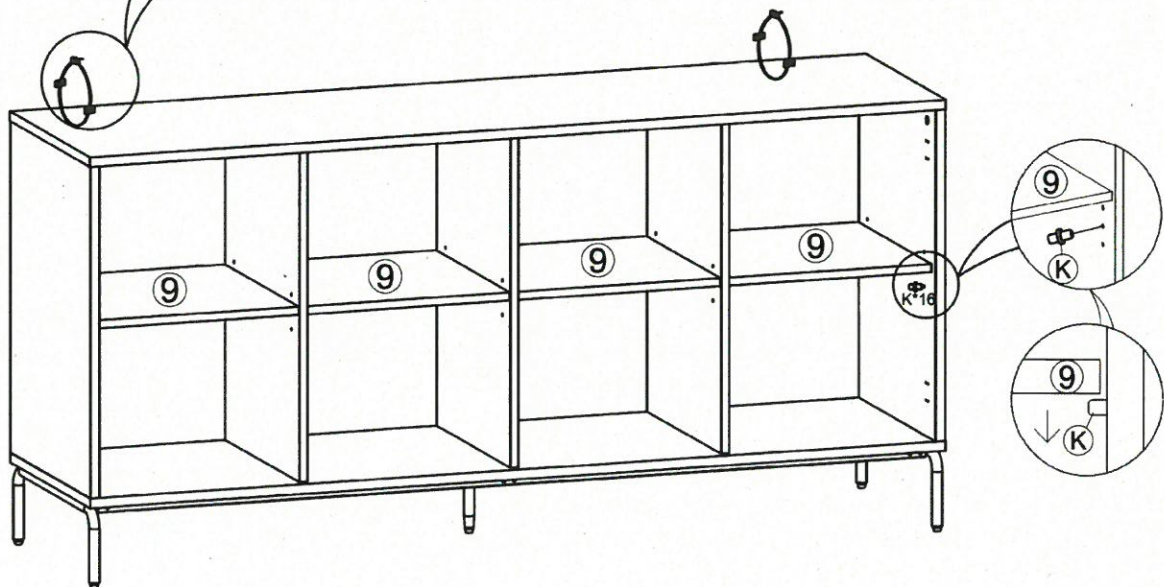
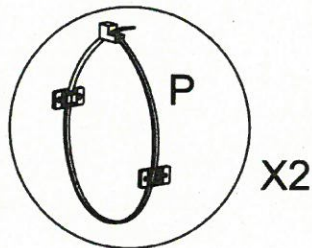
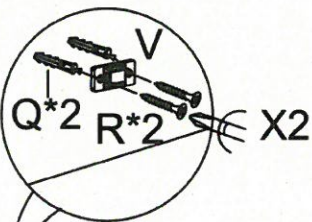
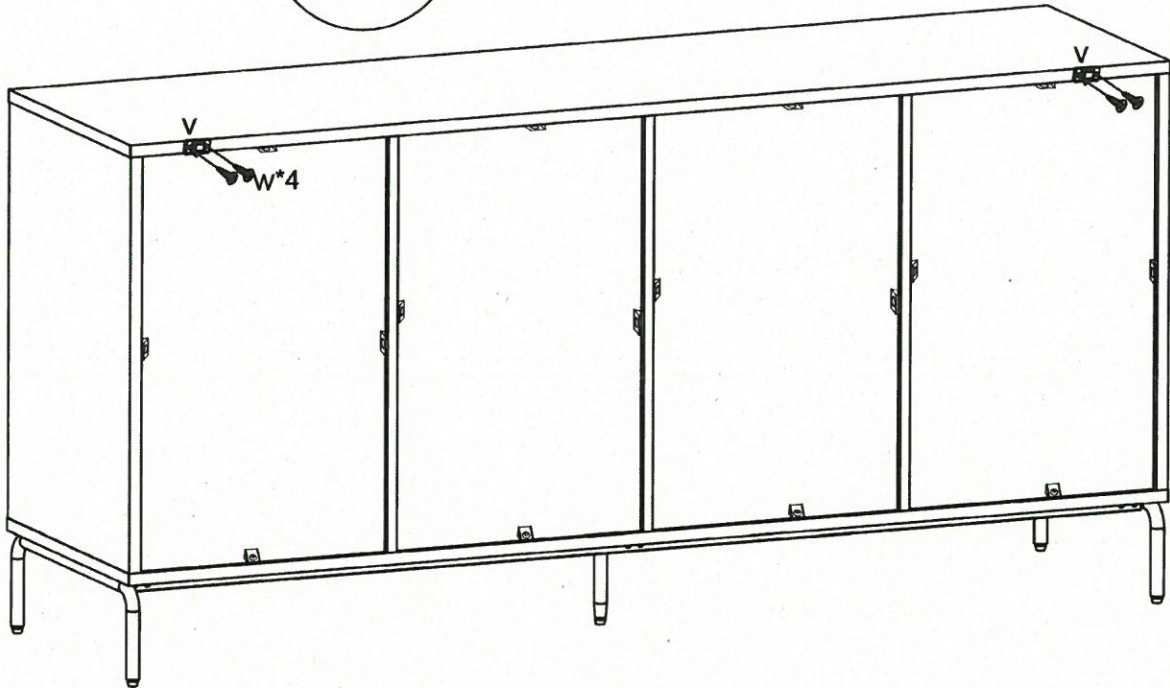
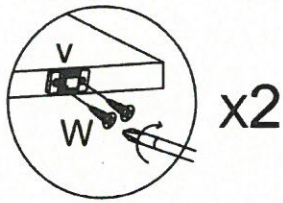
2



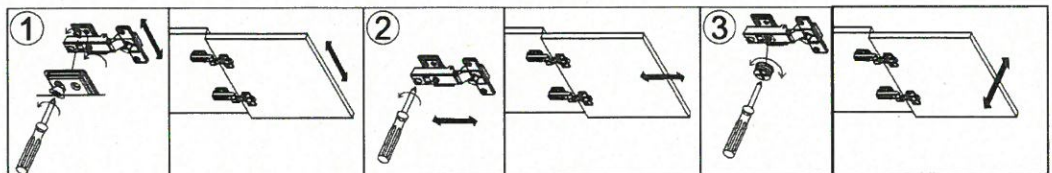
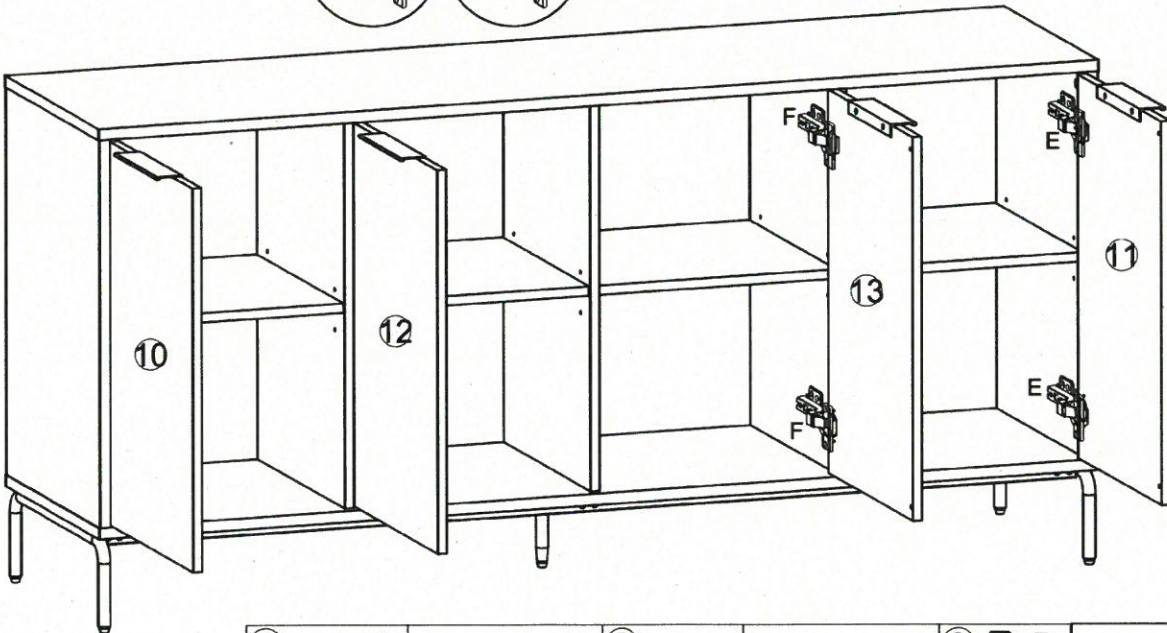
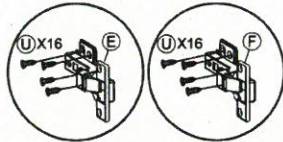
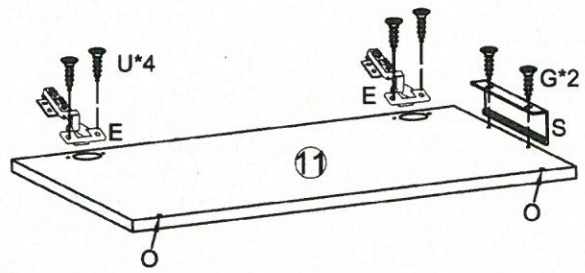
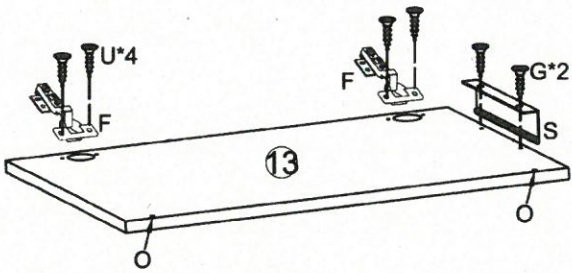
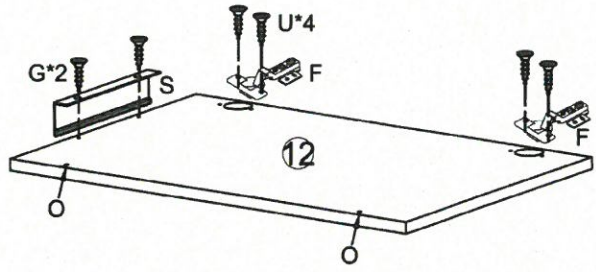
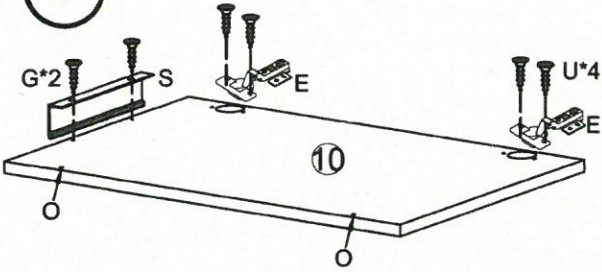
3



4



5



THAT'S ALL FOLKS!

