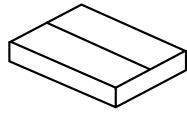
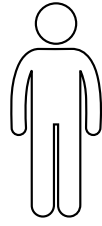




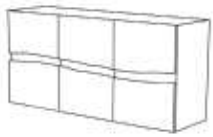
10 min



x1



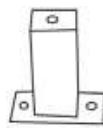
x1



Ax1



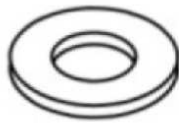
Bx2



Fx1



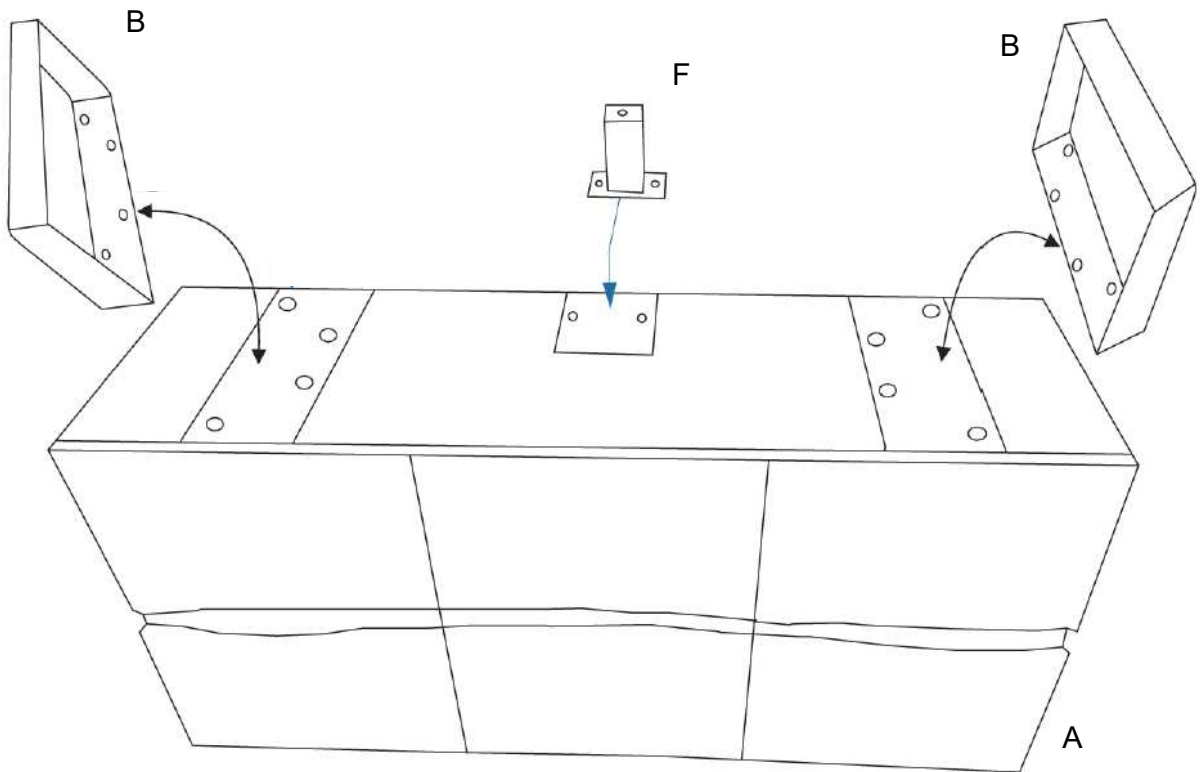
Cx11 M8



Dx11



Ex1



1

