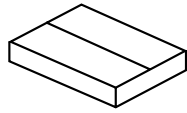
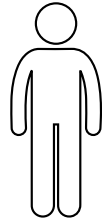




15 min



x1



x1



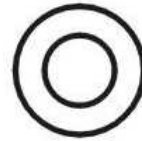
A x4



B x1



C x4



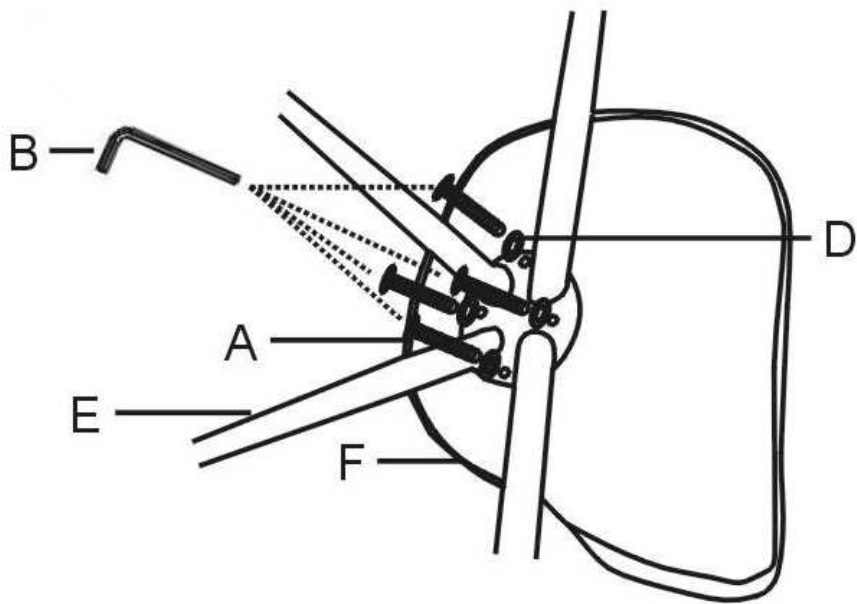
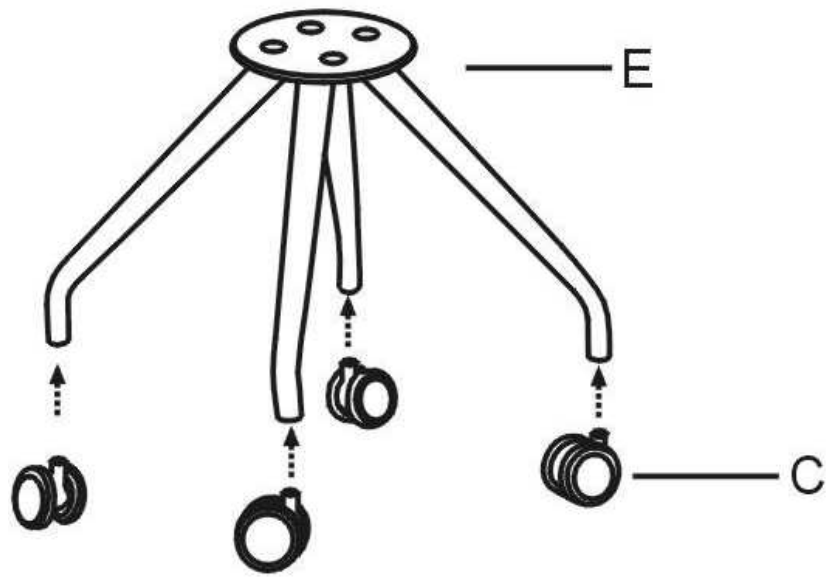
D x4



E x1



F x1



1







