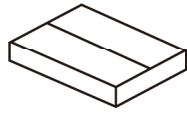




15 MIN



X1



X2



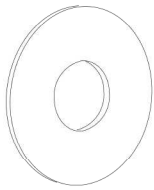
1 x1



2 x2



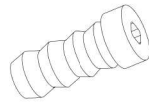
3 x2



Ax16(8x22MM)



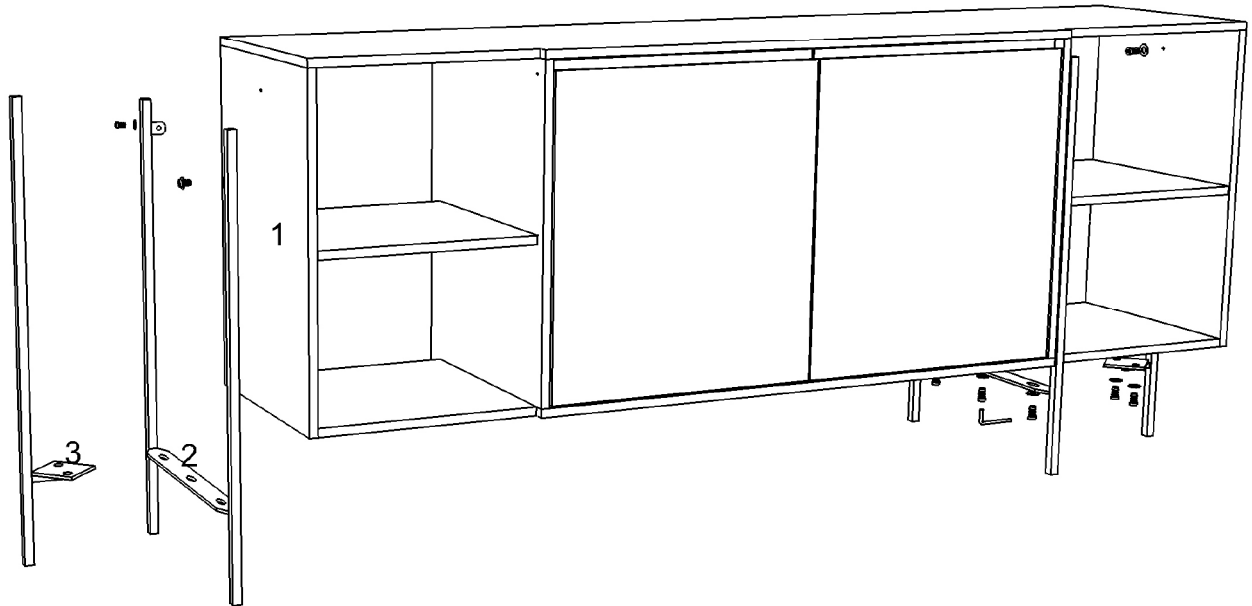
Bx14(6x16MM)



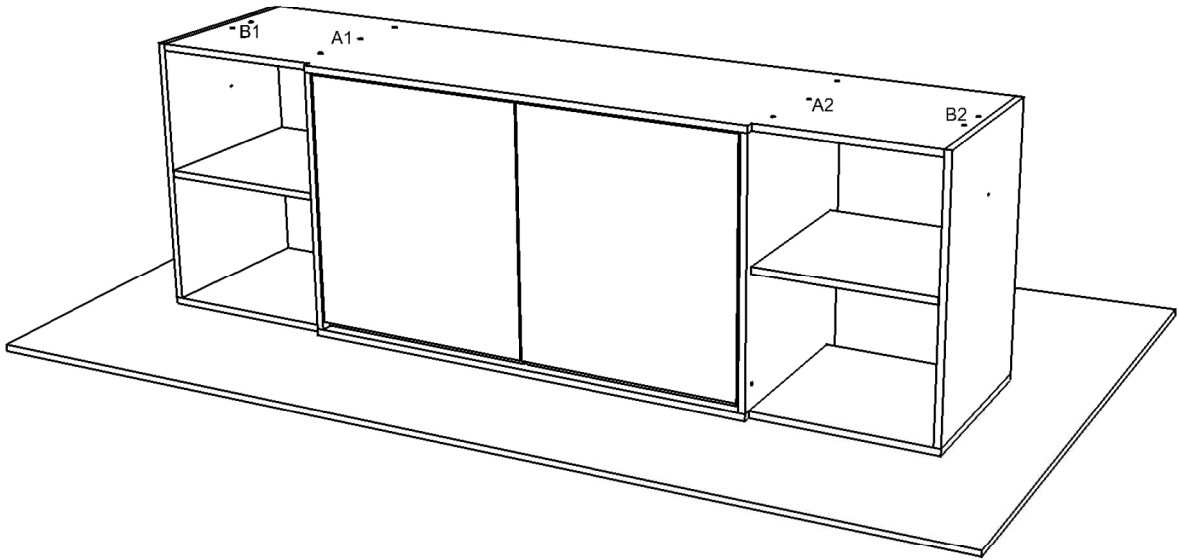
Cx2(6x25MM)



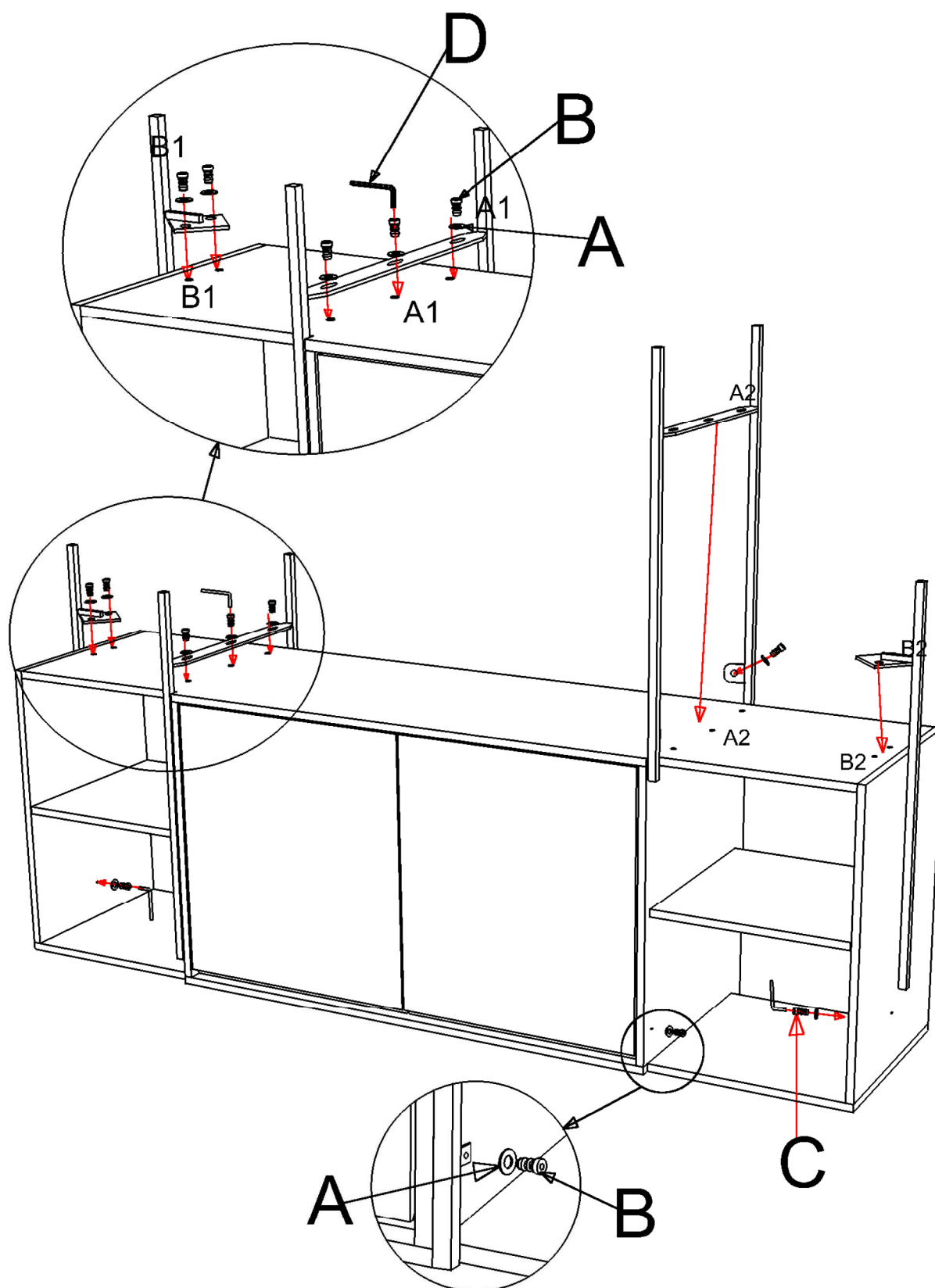
D x1



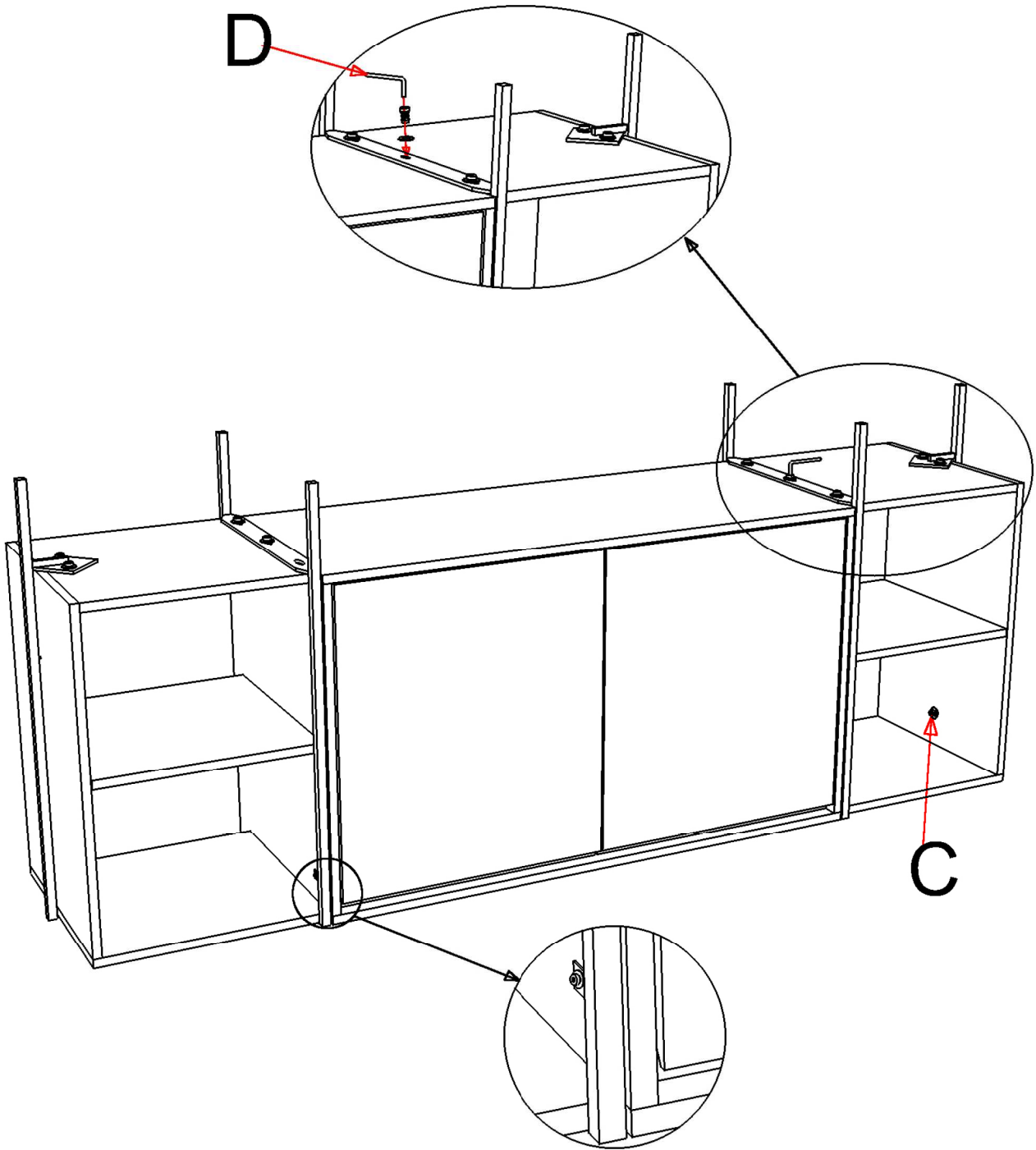
1



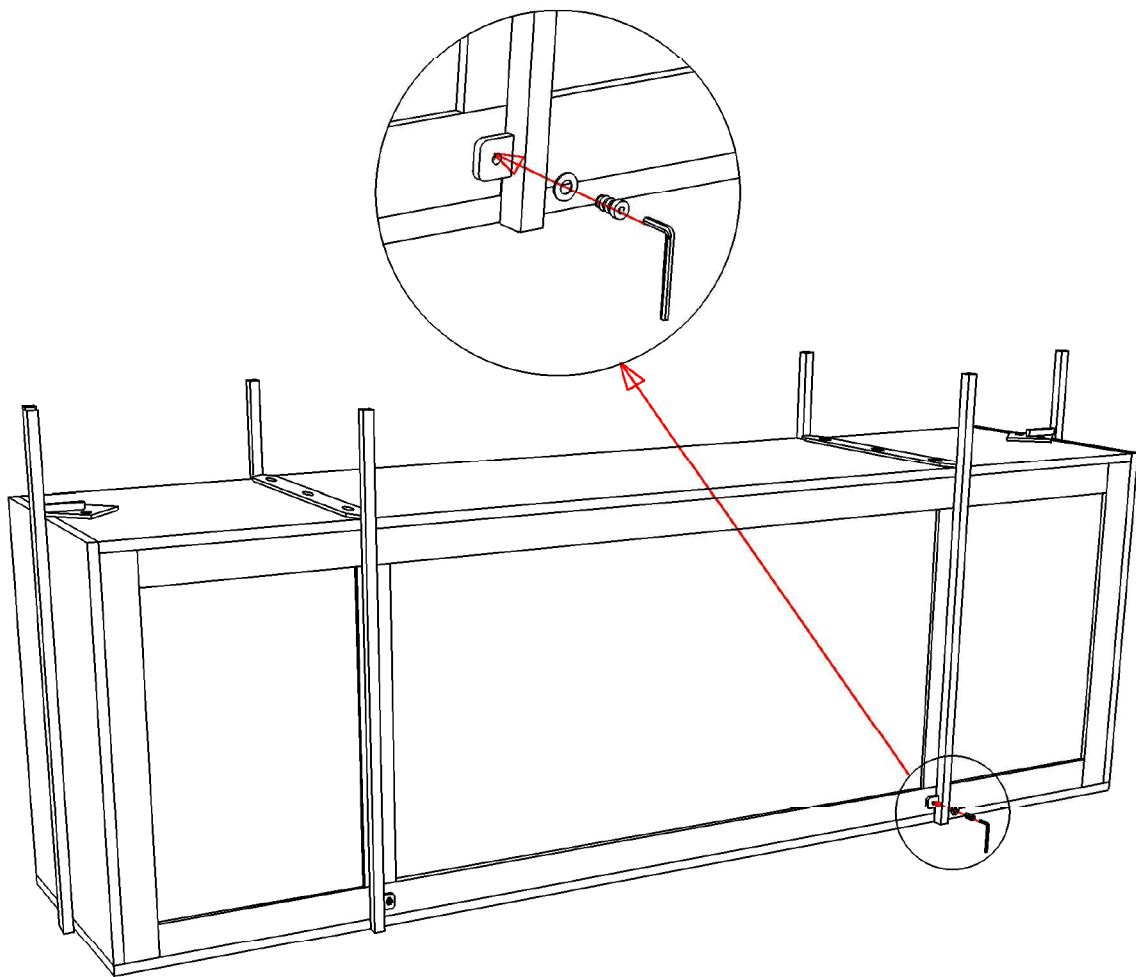
2



3



4





5

