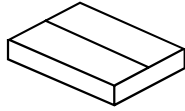
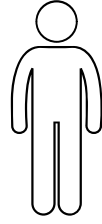




15 min



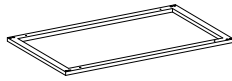
x2



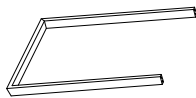
x2



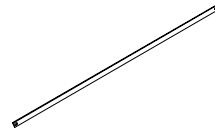
(1) x1



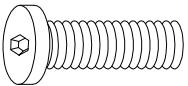
(2) x1



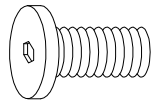
(3) x2



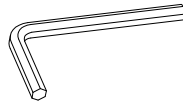
(4) x2



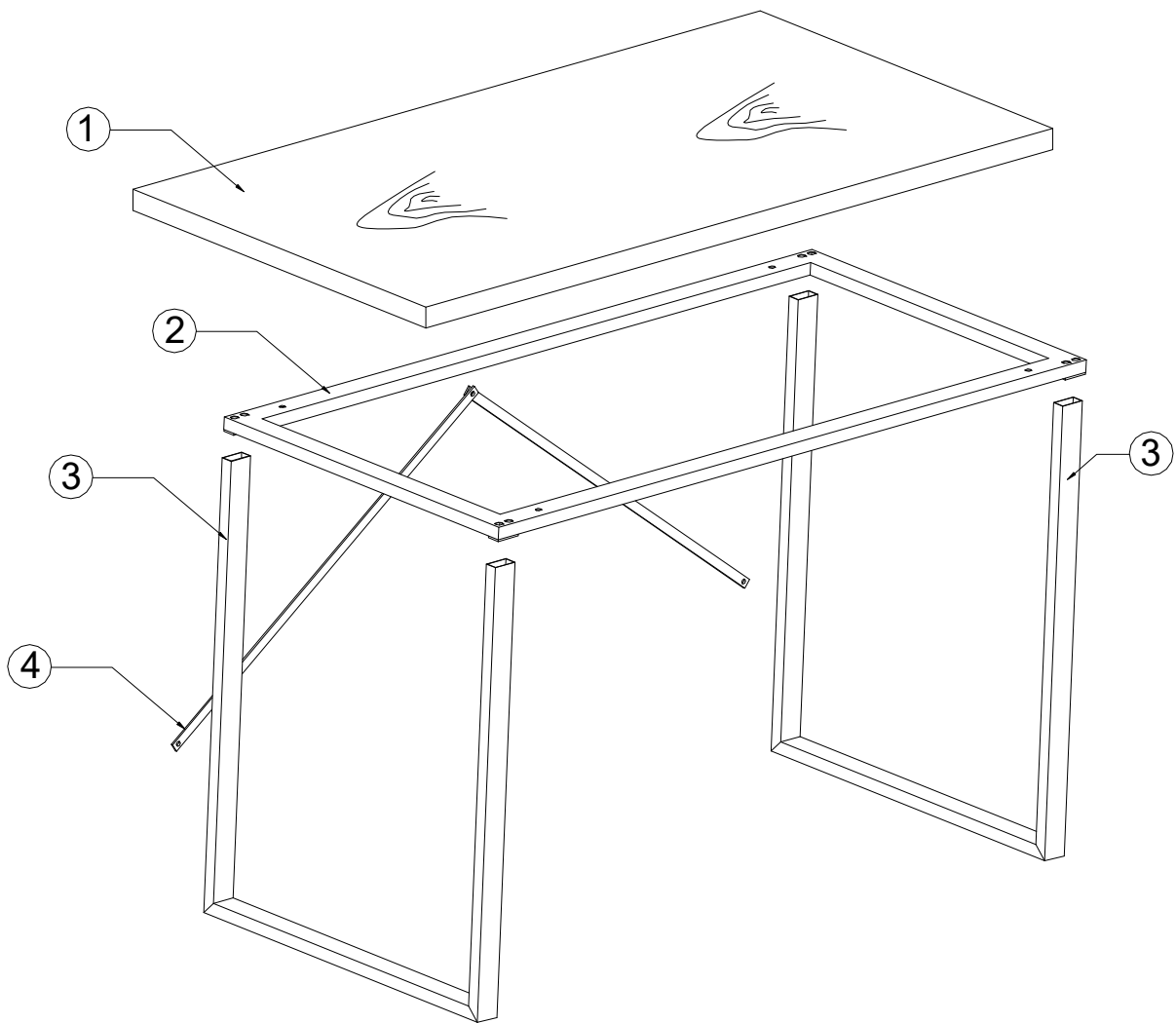
A x12



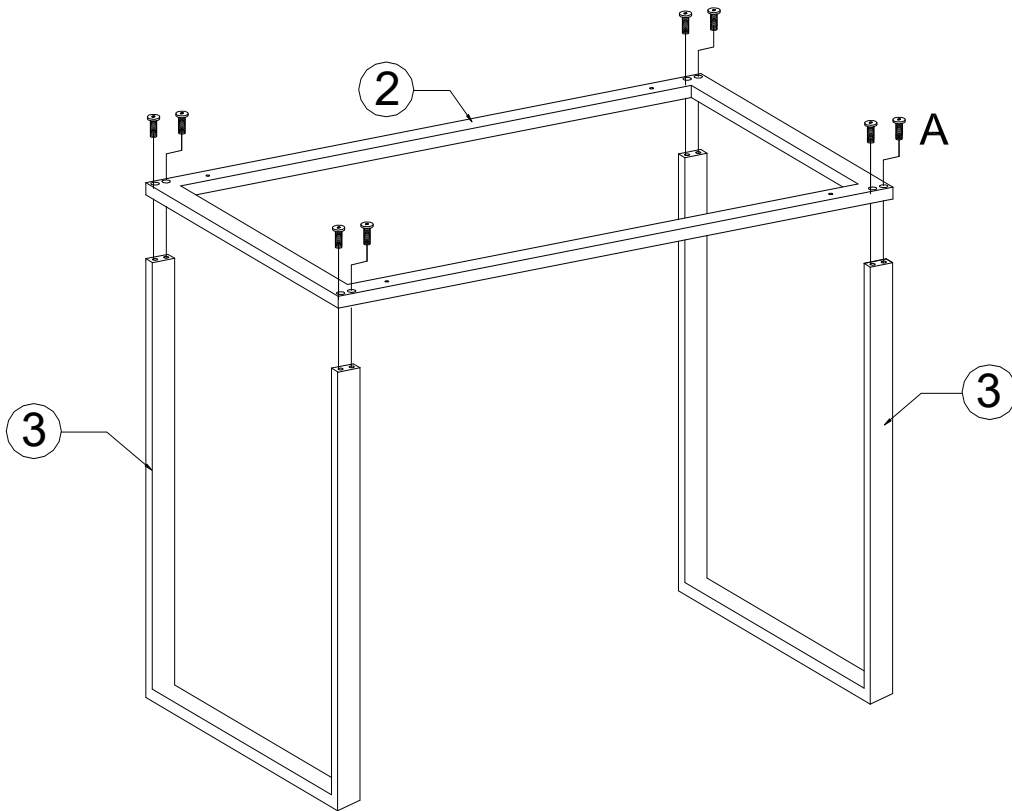
B x3



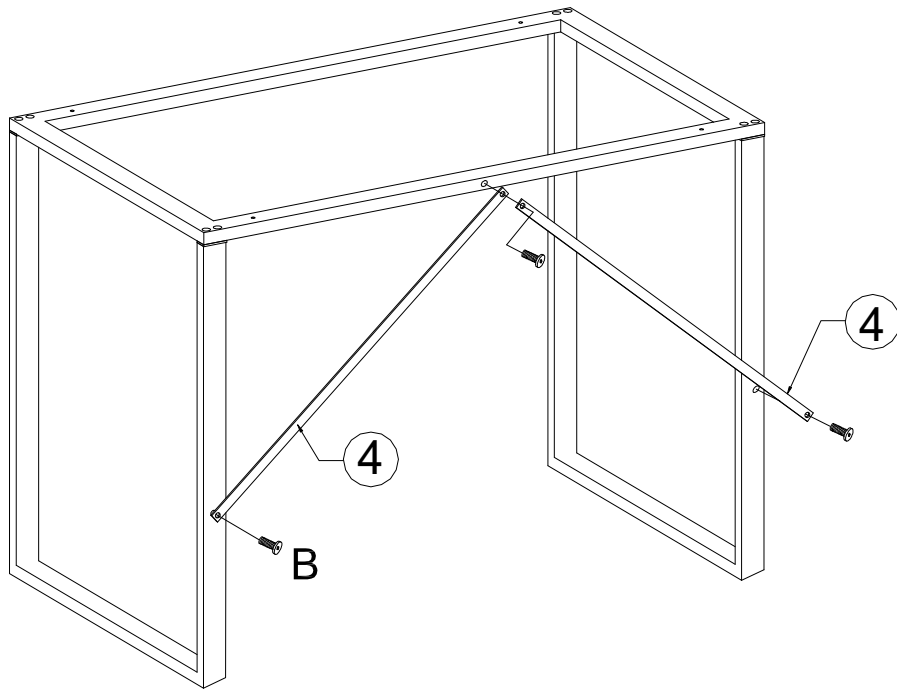
C x1



1



2



3

