



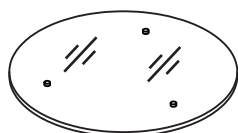
20 min



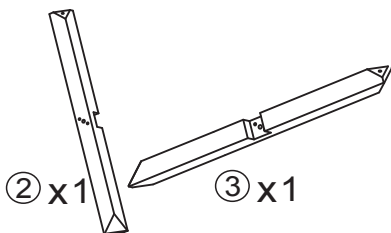
x2



x2



① x1



② x1

③ x1



④ x1



⑤ x1



Ax2 (M8x180mm)



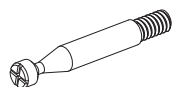
Bx1 (∅15x160mm)



Cx2 (∅12x18mm)



Dx3 (∅15x14mm)



Ex3 (M6x50mm)



Fx2 (30x15mm)



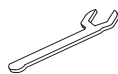
Gx2 (M8)



Hx2 (M8x16mm)



Ix2 (M8x5mm)



Jx1



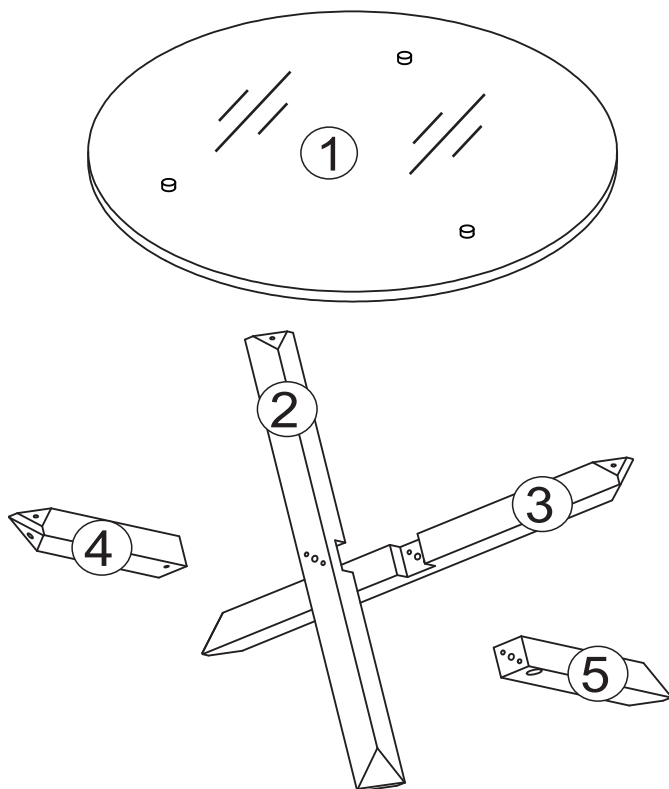
Kx2



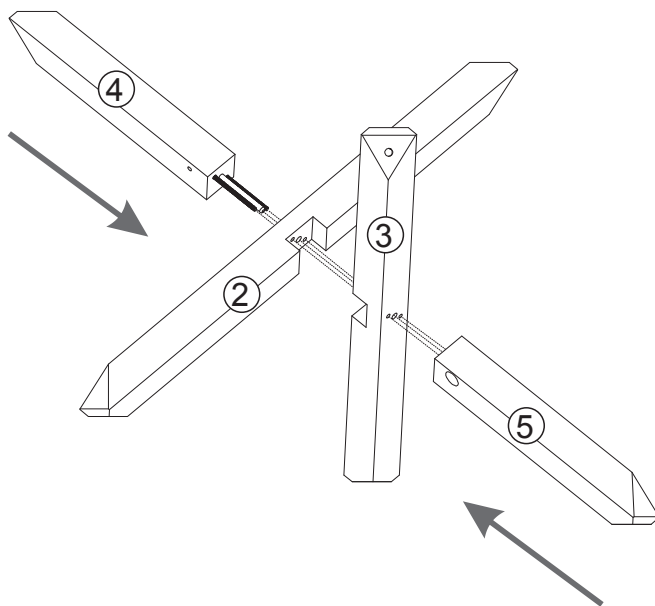
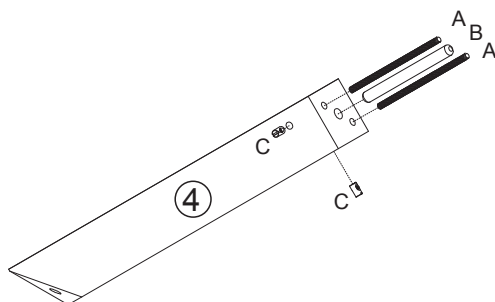
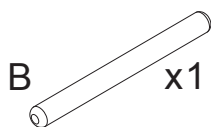
Lx3



Mx2

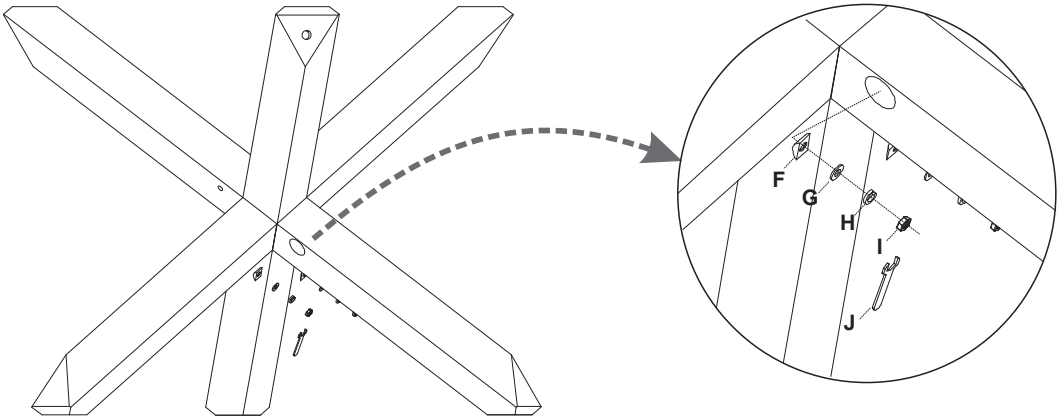


1



2

F  x2   G  x2   H  x2   I  x2   J  x1

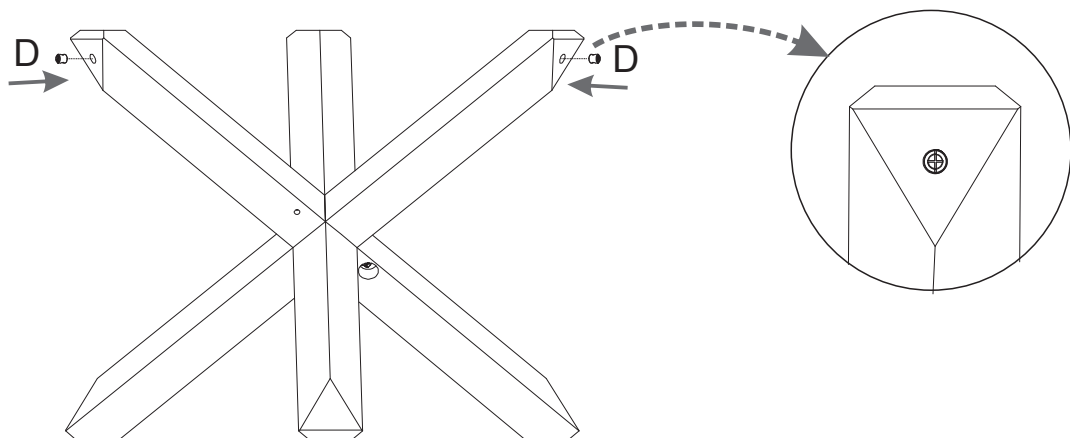


3

D

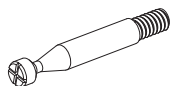


x3

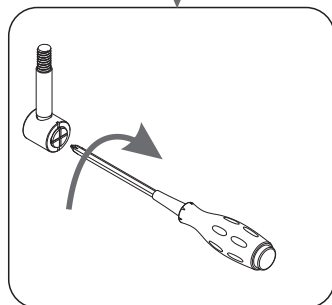
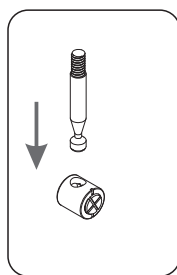
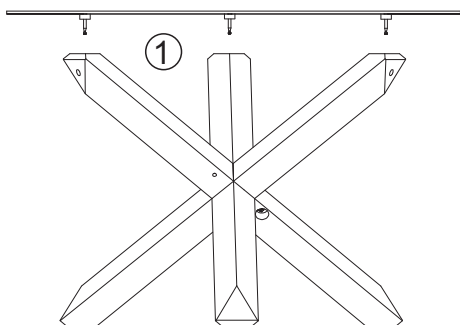
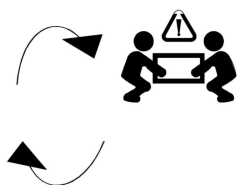
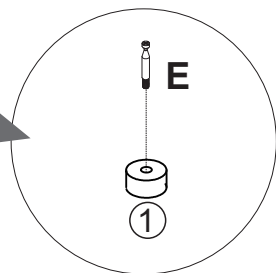
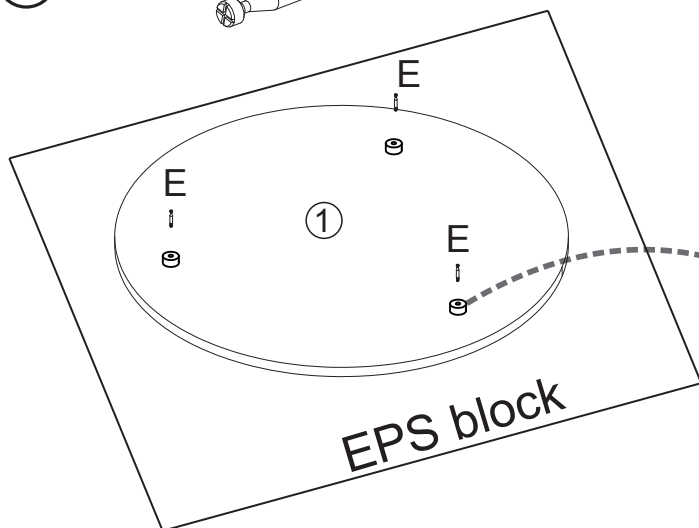


4

E



x3





5

